

# Neo HV



## When to choose a Neo HV lifting arm:

The Neo HV is a lifting arm, thanks to which, in combination with a lifting magnet, you can easily turn a workpiece from the horizontal to the vertical position. You will appreciate this when handling sheets, metal plates and round materials for lathes and horizontal machining centres.

### APPLICATION



Lifting

### TECHNOLOGY



Permanent

### LIFTING CAPACITY



up to 1000 kg

### LOAD DIMENSION



up to 1000 x 2000 mm

### TEMPERATURE



max. 80 °C

### Important parameters:

Nominal lifting capacity for flat material:  
Safety factor:

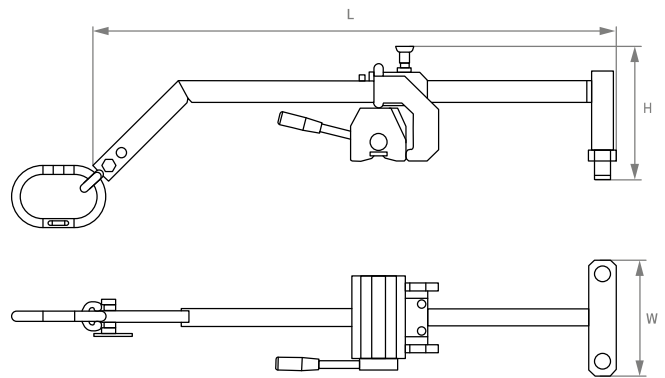
up to 1000 kg  
3:1

### Additional information:

+ the lifting magnet is not included

### Use:

+ for manoeuvring workpieces to horizontal machining centres and lathes



Model	W (mm)	L (mm)	H (mm)	Capacity (kg)	Workpiece width (mm)	Weight (kg)
LARM250	210	958	244	250	300 - 800	16
LARM500	210	1158	244	500	300 - 1000	20
LARM1000	210	1211	297	1000	300 - 1000	33