

GP 250

Lockable release lever for comfortable and safe operation

Big lockable lifting eye prevents undesirable tilting from horizontal to vertical positions






Easy handling and tilting of loads from horizontal to vertical positions and vice versa

Light, compact design



When to choose a GP 250 permanent crane magnet:

The GP 250 is a permanent crane magnet for handling metal sheets and steel plates from 3 mm in thickness. Thanks to its unique configuration of poles, it is possible to use this magnet and take individual metal plates from a stack, starting with 4 mm in thickness. At the same time, this configuration reduces peel-off effect by thin metal sheets significantly.

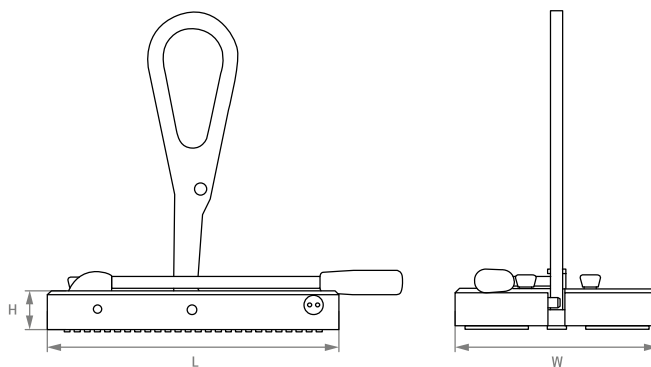
APPLICATION	TECHNOLOGY	HORIZONTAL WORKING LIMIT	VERTICAL WORKING LIMIT	SAFETY FACTOR
 Lifting	 Permanent	 up to 250 kg	 up to 80 kg	 4:1

Important parameters:

Horizontal working limit:	250 kg
Vertical working limit:	80 kg
Size:	288 x 200 x 40 mm
Temperature:	max. 80 °C

Use:

- + strong magnet designed for suspension from a crane hook
- + handling loads from horizontal to vertical positions and vice versa
- + handling sheet metals from a stack, from 4 mm material thickness



Model	W (mm)	L (mm)	H (mm)	Horizontal limit (kg)	Vertical limit (kg)	Weight (kg)	Tested break away force (kg)
GP250	200	288	40	250	80	9,75	1100