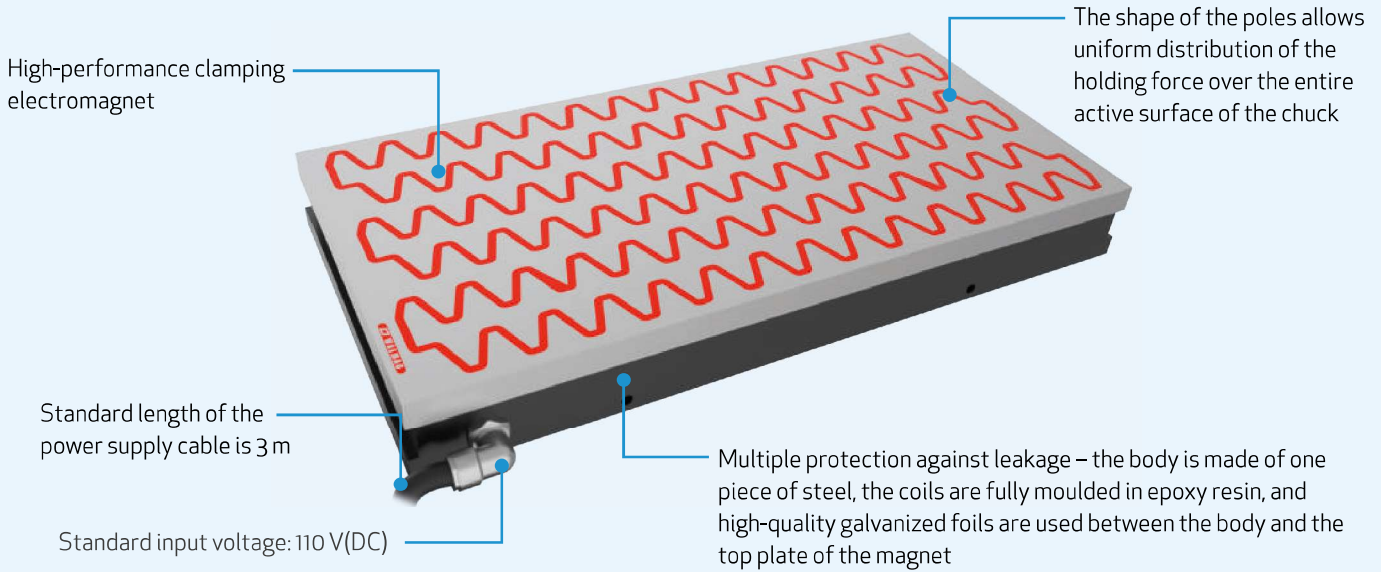


Elmag Wave



When to choose an Elmag Wave magnetic chuck:

Elmag Wave is an electromagnetic chuck suitable for heavy and high-performance surface grinding. The chucks are particularly efficient for roughing operations primarily on vertical grinders with grinding segments.

APPLICATION



Grinding

TECHNOLOGY



Electro

CHUCK DIMENSION



from 200 x 600 mm

HOLDING FORCE



130 N/cm²

POLES



Wave type

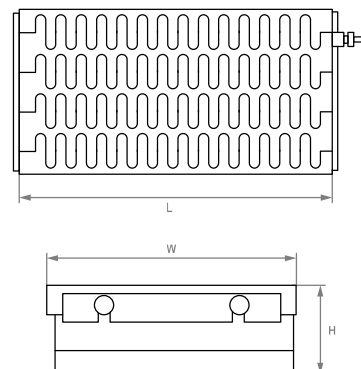
Model	W (mm)	L (mm)	H (mm)	Wattage (W)	Weight (kg)
ELMGW200600	200	600	70	90	59
ELMGW2001000	200	1000	80	152	113
ELMGW2501000	250	1000	79	219	135
ELMGW300500	300	500	70	106	74
ELMGW300600	300	600	70	135	89
ELMGW300800	300	800	70	164	119
ELMGW3001000	300	1000	80	189	170
ELMGW3001500	300	1500	80	318	254
ELMGW400600	400	600	70	210	119
ELMGW400700	400	700	70	223	138
ELMGW400800	400	800	70	240	158
ELMGW6001000	600	1000	80	456	347
ELMGW6001500	600	1500	80	322	533
ELMGW6002000	600	1500	80	929	689

Important parameters:

Min. workpiece size: 120 x 40 x 20 mm
 Pole pitch: T40
 Regrinding limit: 8 mm

Use:

- + heavy and high-performance surface grinding
- + roughing primarily on vertical grinders with grinding segments



For more information, visit www.walmagmagnetics.com