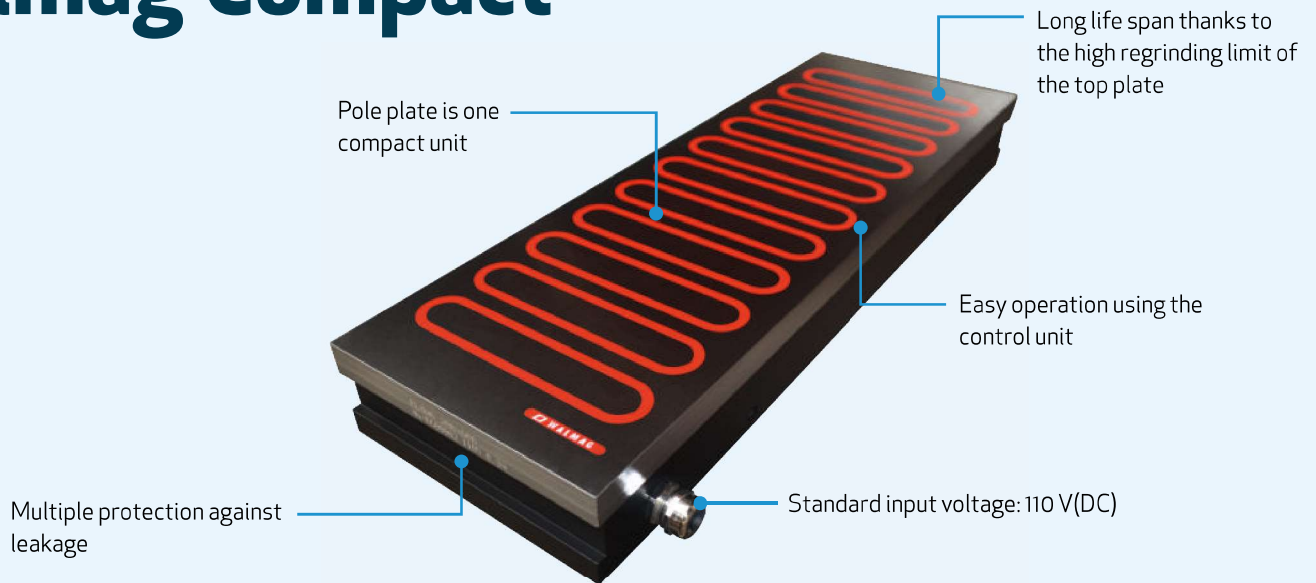


Elmag Compact



When to choose an Elmag Compact magnetic chuck:

The Elmag Compact electromagnetic chuck is suitable for heavy and final surface grinding of medium to large size workpieces.

APPLICATION



Grinding

TECHNOLOGY



Electro

CHUCK DIMENSION



from 200 x 600 mm

HOLDING FORCE



130 N/cm²

POLES



Oval

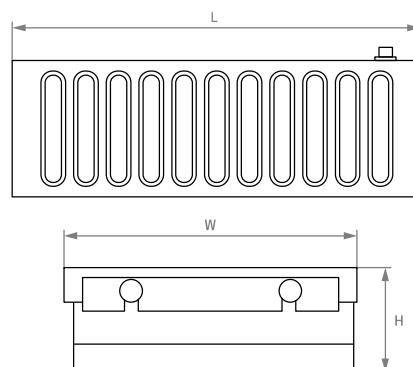
Model	W (mm)	L (mm)	H (mm)	Wattage (W)	Weight (kg)
ELMG200600	200	600	70	90	60
ELMG2001000	200	1000	80	152	116
ELMG2501000	250	1000	79	219	137
ELMG300500	300	500	70	106	76
ELMG300600	300	600	70	135	91
ELMG300800	300	800	70	164	122
ELMG3001000	300	1000	80	189	174
ELMG3001500	300	1500	80	318	260
ELMG400600	400	600	70	210	122
ELMG400700	400	700	70	223	141
ELMG400800	400	800	70	240	162
ELMG6001000	600	1000	80	456	347
ELMG6001500	600	1500	80	322	533
ELMG6002000	600	2000	80	929	689

Important parameters:

Min. workpiece size: 22 x 144 x 48 mm
 Pole pitch: T48 mm
 Regrinding limit: 8 mm
 Power supply cable length: 6 m

Use:

- + clamping of medium to large size parts on grinders
- + heavy and final surface grinding



For more information, visit www.walmagmagnetics.com