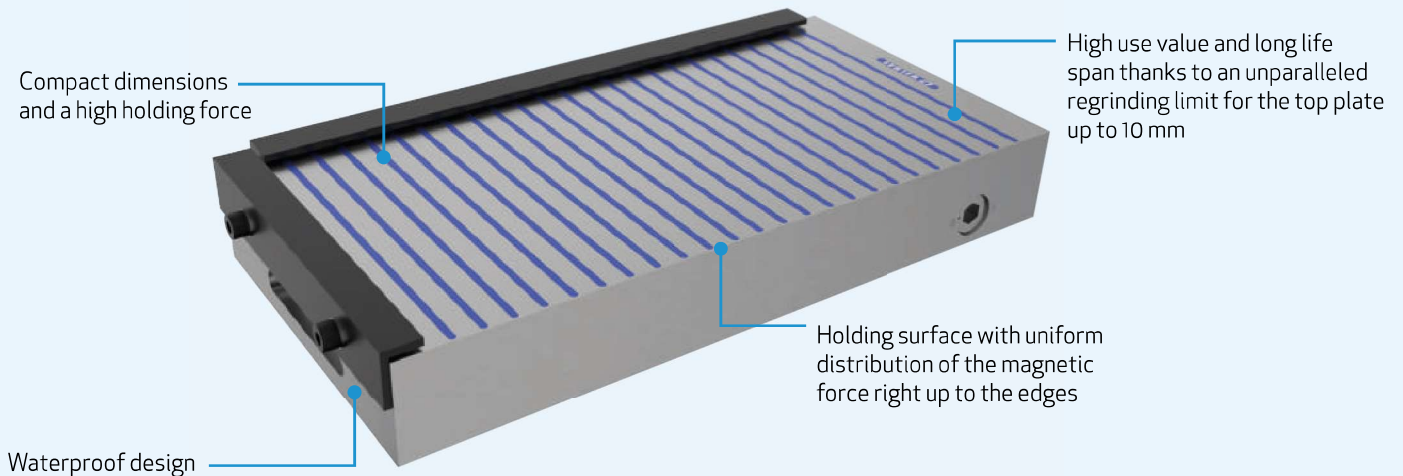


Neomill Compact



When to choose a Neomill Compact magnetic chuck:

Milling, Drilling, planing or heavy grinding. The Neomill magnetic chuck can be of use anywhere where really a high holding force and stability for clamping of relatively small workpieces are needed.

APPLICATION



Milling

TECHNOLOGY



Permanent

CHUCK DIMENSION



from 150 x 250 mm

HOLDING FORCE



160 N/cm²

POLES



Transverse

Important parameters:

Holding force:	160 N/cm ²
Min.workpiece size:	15 x 15 x 6 mm
Poles:	Transverse
Regrinding limit:	10 mm
Pole pitch:	T15 11+4 mm (steel/epoxy)

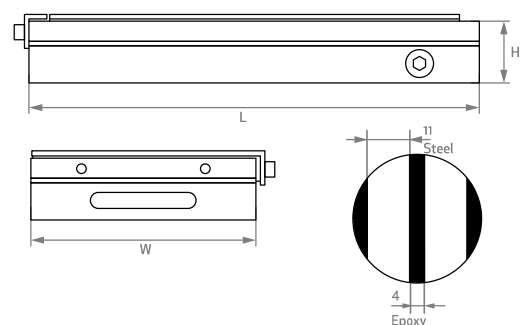
Additional information:

- + available also with mounted top plate with steel and brass lamellae

Use:

- + milling, drilling, planing, heavy grinding

Model	W (mm)	L (mm)	H (mm)	Weight (kg)
NEOMC150250	150	250	50	14
NEOMC150450	150	450	50	25
NEOMC200400	200	400	55	33
NEOMC200500	200	500	55	41
NEOMC200600	200	600	55	49
NEOMC250400	250	400	60	45
NEOMC300500	300	500	60	67
NEOMC300600	300	600	60	81



For more information, visit www.walmagmagnetics.com